

## GH™ 130, GH 200, GH230, GH 300, hydrauliska sprutningssystem

311809L  
SV

**- För målning och lackering inom byggbranschen -**

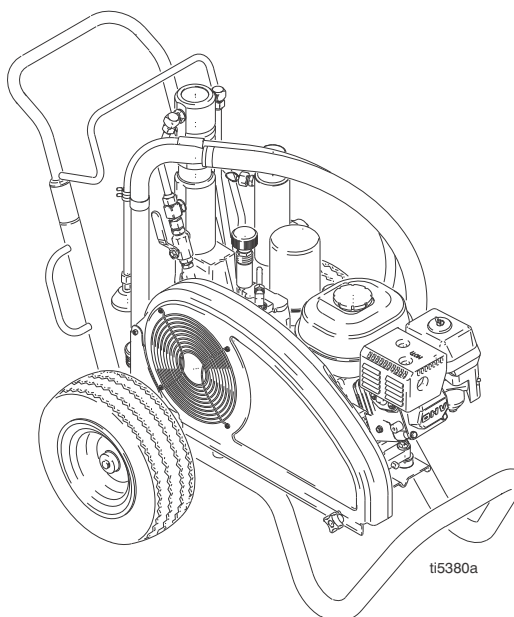
*2,8 Mpa, 228 bar maximalt arbetstryck*

En lista med modeller finns på sidan 2.



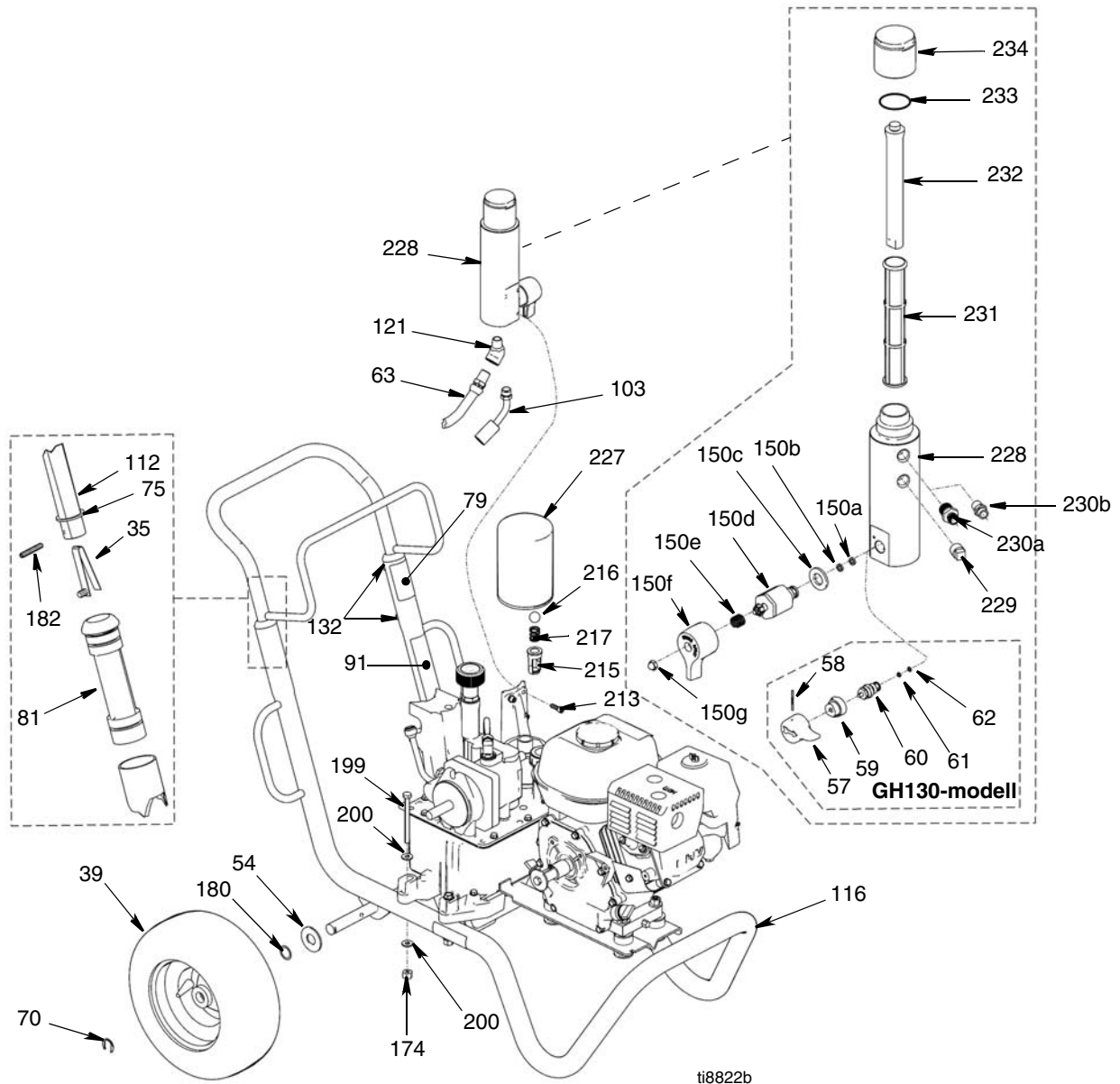
**Viktiga säkerhetsföreskrifter.**

Studera alla varningstexter och säkerhetsföreskrifter. Spara föreskrifterna. Vänd er till Gracos kundtjänst, närmaste Graco-distributör eller vår hemsida på [www.graco.com](http://www.graco.com) för att få en handbok på svenska.



# Reservdelar

## Alla system



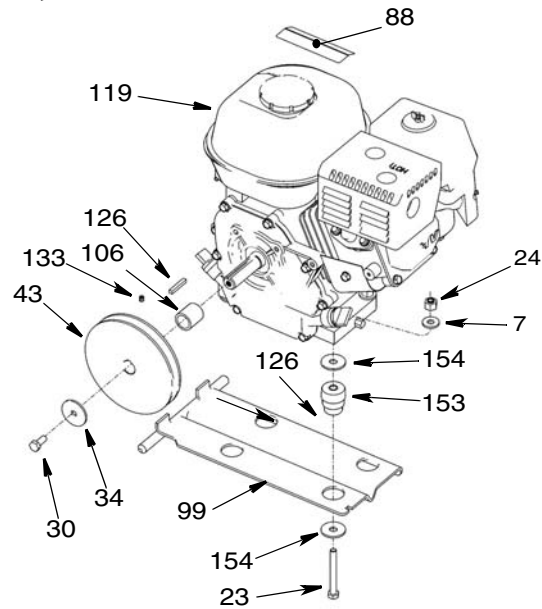
## Reservdelslista – Alla system

| Ref   | Part   | Description                     | Qty | Ref   | Part   | Description  | Qty |
|-------|--------|---------------------------------|-----|-------|--------|--|-----|
| 35    | 112827 | BUTTON, snap                    | 2   | 150f★ | 15G563 | HANDLE, valve                                      | 1   |
| 39    | 119420 | WHEEL, pneumatic, GH130 & 200   | 2   | 150g★ | 116424 | NUT, cap, hex hd                                   | 1   |
|       | 119408 | WHEEL, pneumatic, GH230 & 300   | 2   | 174   | 110838 | NUT, hex   | 2   |
| 54    | 156306 | WASHER, flat, GH130 & 200       | 2   | 180   | 116038 | WASHER, wave spring, GH130 & 200                   | 2   |
|       | 111841 | WASHER, plain, 5/8, GH230 & 300 | 2   | 182   | 101354 | PIN, spring, straight, GH130 & 200                 | 2   |
| 57    | 15C780 | HANDLE, GH130                   | 1   |       | 108068 | PIN, spring, straight, GH230 & 300                 | 2   |
| 58    | 15C972 | PIN, grooved, GH130             | 1   | 199   | 803298 | SCREW, flat head                                   | 2   |
| 59    | 224807 | BASE, valve, GH130              | 1   | 200   | 100527 | WASHER   | 4   |
| 60    | 235014 | VALVE, replacement, kit, GH130  | 1   | 213   | 119426 | SCREW  | 3   |
| 61◆   | 15E022 | SEAT, valve, GH130              | 1   | 215   | 198841 | RETAINER   | 1   |
| 62◆   | 111699 | GASKET, seat, valve, GH130      | 1   | 216   | 100084 | BALL, metallic                                     | 1   |
| 63    | 243814 | HOSE                            | 1   | 217   | 116967 | SPRING, compression                                | 1   |
| 70    | 120211 | CLIP, retaining, GH130 & 200    | 2   | 227   | 246173 | FILTER, oil, spin on                               | 1   |
|       | 15B563 | CLIP, retaining, GH230 & 300    | 2   | 228   | 15E599 | HOUSING  | 1   |
| 75    | 15J645 | WASHER, GH130 & 200             | 2   | 229   | 100040 | PLUG, pipe   | 1   |
|       | 183350 | WASHER, GH230, & 300            | 2   | 230a  | 164672 | ADAPTER (GH 130, 200) 1/4 npsm (m) hose connection | 1   |
| 79▲   | 189246 | LABEL                           | 1   | 230b  | 162485 | ADAPTER (GH 230, 300) 3/8 npsm (m) hose connection | 1   |
| 81    | 192027 | SLEEVE, cart                    | 2   | 231   | 244067 | FILTER, fluid                                      | 1   |
| 91▲   | 194317 | LABEL                           | 1   | 232   | 15C766 | TUBE, diffusion                                    | 1   |
| 103   | 288732 | HOSE, drain                     | 1   | 233   | 117285 | PACKING, o-ring                                    | 1   |
| 112   | 24M397 | HANDLE, cart                    | 1   | 234   | 15C765 | CAP, filter  | 1   |
| 116   | 288169 | FRAME, cart, GH130 & 200        | 1   |       |        |  |     |
|       | 248815 | CART, frame, GH230 & 300        | 1   |       |        |  |     |
| 121   | 116756 | ELBOW                           | 1   |       |        |  |     |
| 132   | 109032 | SCREW, mach, pnh                | 4   |       |        |  |     |
| 150   | 245103 | VALVE, drain, GH200, 230, 300   |     |       |        |  |     |
| 150a★ | 193710 | SEAL, valve                     | 1   |       |        |  |     |
| 150b★ | 193709 | SEAT, valve                     | 1   |       |        |  |     |
| 150c★ | 114797 | GASKET                          | 1   |       |        |  |     |
| 150d★ |        | VALVE, assembly                 | 1   |       |        |  |     |
| 150e★ | 114708 | SPRING, compression             | 1   |       |        |  |     |

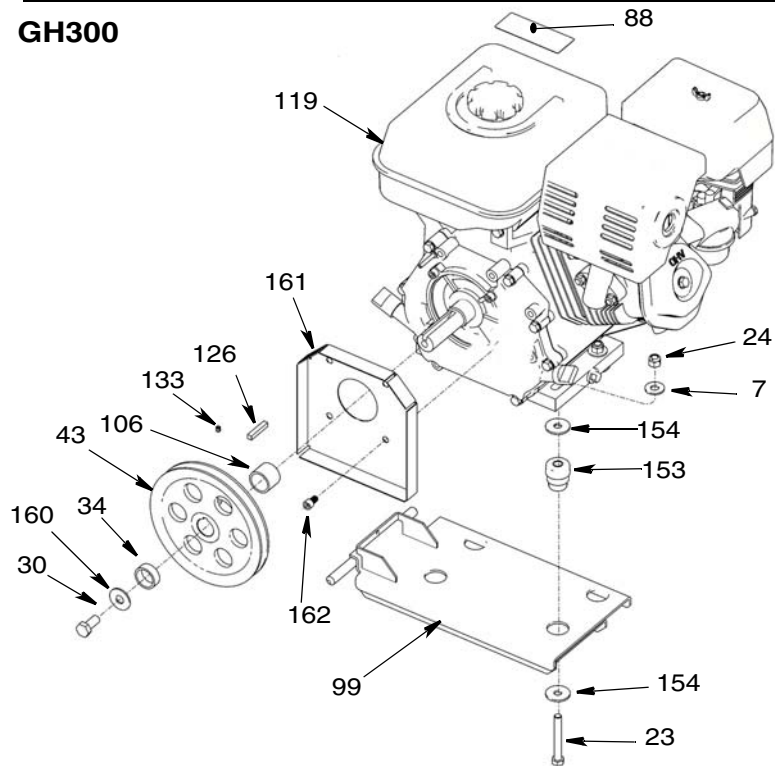
- ▲ *Etiketter med varningssymboler och säkerhetsföreskrifter kan beställas kostnadsfritt*
- ◆ *Ingår i utbytessats 235014 för dräneringskran*
- ★ *Ingår i utbytessats 235103 för dräneringskran*

Sprängskiss - Motorer

**GH130, 200, 230**



**GH300**



ti8813a

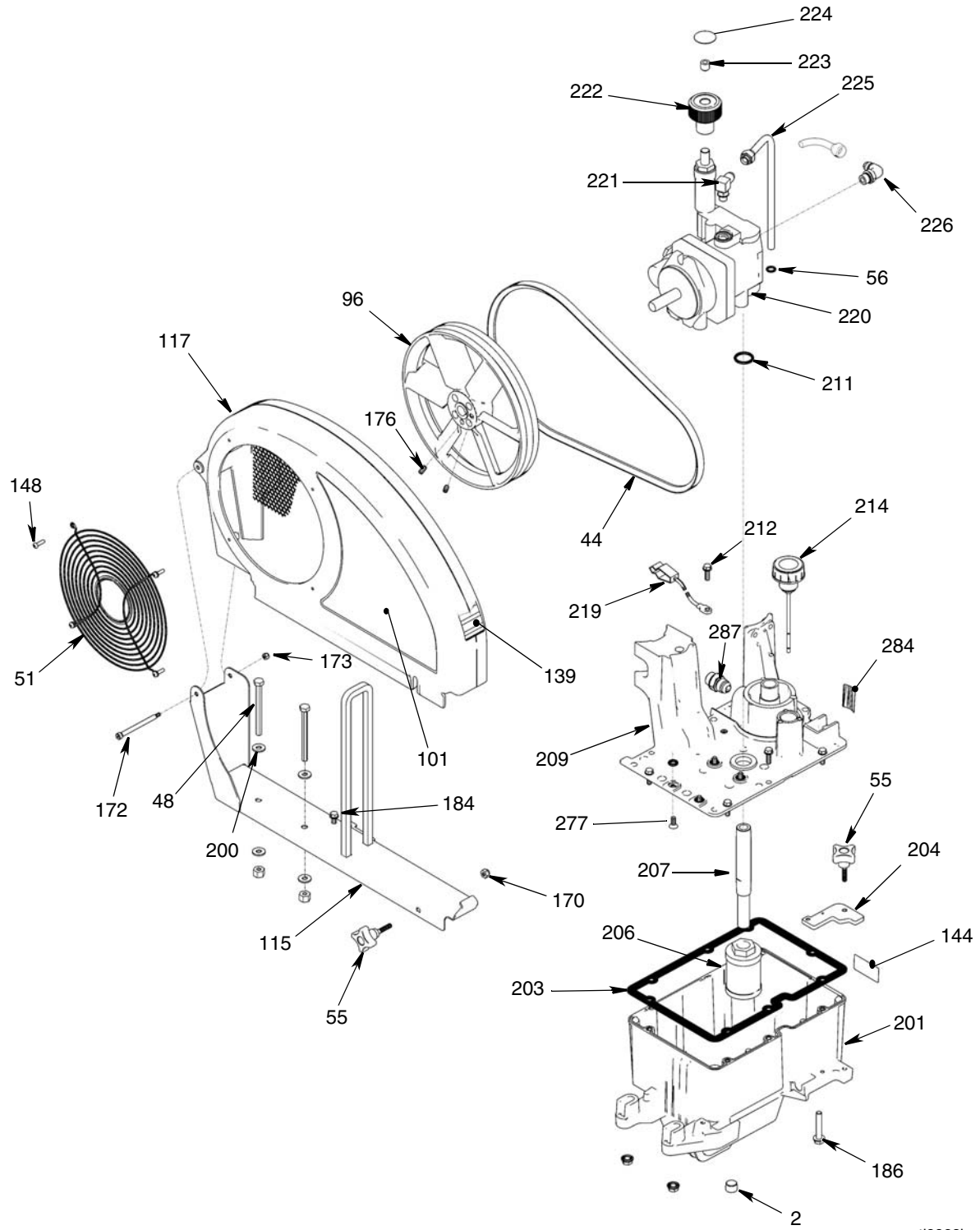
| Ref  | Part   | Description                                | Qty | Ref    | Part                                  | Description                              | Qty |
|------|--------|--|-----|--------|---------------------------------------|--|-----|
| 7    | 100023 | WASHER,flat, GH130, 200 & 230              | 4   | 116298 | ENGINE, gasoline, 6.5hp, Honda, GH230 |  | 1   |
|      | 100132 | WASHER, flat, GH300                        | 4   | 803900 | ENGINE, gasoline, 9.0hp Honda, GH300  |  | 1   |
| 23   | 113664 | SCREW,cap,hex hd, GH130, 200 & 230         | 4   | 126    | 117632                                | KEY,square,3/16 X 1.25, GH130, 200 & 230 | 1   |
|      | 106212 | SCHREW, cap, hex hd, GH300                 | 4   |        | 119484                                | KEY, parallel, square, GH300             | 1   |
| 24   | 110838 | NUT,lock, GH130, 200 & 230                 | 4   | 133    | 100002                                | SCREW,set,sch                            | 1   |
|      | 101566 | NUT, lock, GH300                           | 4   | 153    | 15E888                                | DAMPENER,motor mount, GH130, 200 & 230   | 4   |
| 30   | 108842 | SCREW,cap,hex hd, GH130, 200 & 230         | 1   |        | 195515                                | DAMPENER, motor mount, GH300             | 4   |
|      | 116645 | SCREW, cap, hex hd, GH300                  | 1   | 154    | 108851                                | WASHER,plain                             | 8   |
| 34   | 112717 | WASHER,GH130, 200 & 230                    | 1   | 160    | 15E764                                | SPACER, GH300                            | 1   |
|      | 119438 | WASHER, GH300                              | 1   | 161    | 15E973                                | SHIELD, GH300                            | 1   |
| 43   | 116908 | PULLEY,5.50 in, GH130, 200 & 230           | 1   | 162    | C20010                                | SCREW, GH300                             | 5   |
|      | 119401 | PULLEY, GH300                              | 1   |        |                                       |  |     |
| 88▲  | 194126 | LABEL                                      | 1   |        |                                       |  |     |
| 99   | 15F157 | BRACKET,mounting, engine, GH130, 200 & 230 | 1   |        |                                       |  |     |
|      | 15E583 | BRACKET, mounting, engine, GH300           | 1   |        |                                       |  |     |
| 106  | 15B314 | SLEEVE,motor shaft, GH130, 200 & 230       | 1   |        |                                       |  |     |
|      | 15E586 | SLEEVE, motor shaft, GH300                 | 1   |        |                                       |  |     |
| 119* | 120590 | ENGINE, gasoline, 4.0hp, Honda, GH130      | 1   |        |                                       |  |     |
|      | 802264 | ENGINE,gasoline, 5.5hp GH200               | 1   |        |                                       |  |     |

\*Reservdelssatser för motor:

|        |        |
|--------|--------|
| 288678 | 4,0 HK |
| 248943 | 5,5 HK |
| 248944 | 6,5 HK |
| 248945 | 9,0 HK |

▲ Etiketter med varningssymboler och säkerhetsföreskrifter kan beställas kostnadsfritt

# Sprängkiss – Alla system



ti8823b

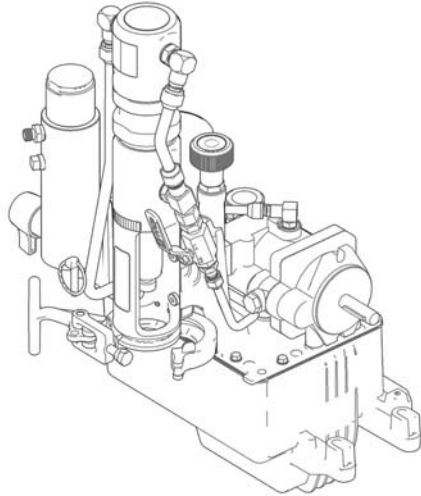
## Reservdelslista – Alla system

| Ref  | Part   | Description                                    | Qty |      |        |                              |   |
|------|--------|--|-----|------|--------|------------------------------|---|
| 2    | 101754 | PLUG   | 1   | 176  | 120087 | SCREW,set, 1/4 X 1/2         | 2 |
| 44   | 119433 | BELT, GH130, 200, 230                          | 1   | 184  | 260212 | SCREW,hex washer hd,thd form | 1 |
|      | 119432 | BELT, GH300                                    | 1   | 200  | 100527 | WASHER                       | 2 |
| 48   | 803298 | SCREW,hex head                                 | 2   | 201  | 15J513 | TANK,reservoir               | 1 |
| 51   | 117284 | GRILL,fan guard                                | 1   | 202  | 101754 | PLUG,pipe                    | 1 |
| 55   | 15D862 | NUT,hand                                       | 2   | 203  | 120604 | GASKET,reservoir             | 1 |
| 56   | 154594 | O-RING   | 1   | 204  | 15E476 | BRACKET,retainer, motor      | 1 |
| 96   | 15E410 | PULLEY,fan                                     | 1   | 206  | 116919 | FILTER                       | 1 |
| 99   | 15F157 | BRACKET,mounting, engine,<br>GH130, 200 & 230  | 1   | 207  | 15E587 | TUBE,suction                 | 1 |
|      | 15E583 | BRACKET, mounting, engine,<br>GH300            | 1   | 208  | 154594 | PACKING,o-ring               | 1 |
| 101▲ | 15K431 | LABEL, GH130                                   | 1   | 209  | 15J363 | COVER,reservoir              | 1 |
|      | 15K433 | LABEL, GH200                                   | 1   | 211  | 156401 | PACKING,o-ring               | 1 |
|      | 15K435 | LABEL, GH230                                   | 1   | 212  | 119426 | SCREW                        | 8 |
|      | 15K437 | LABEL, GH300                                   | 1   | 214  | 120726 | CAP,breather, filler         | 1 |
| 115  | 288261 | RAIL,belt guard, assembly, GH130<br>& 200      | 1   | 219  | 237686 | WIRE,ground with clamp       | 1 |
|      | 288393 | RAIL, belt guard, assembly, GH230<br>& 300     | 1   | 220  | 288733 | PUMP,hydraulic. GH130        | 1 |
| 117  | 288734 | GUARD,belt assembly, painted,<br>GH130 & 200   | 1   |      | 246178 | PUMP, hydraulic, GH200       |   |
|      | 248973 | GUARD, belt, assembly, painted,<br>GH230 & 300 | 1   |      | 249003 | PUMP, hydraulic, 230/300     |   |
| 139▲ | 198492 | LABEL  | 1   | 221  | 110792 | FITTING,elbow, male, 90°     | 1 |
| 144▲ | 15K440 | LABEL  | 1   | 222  | 15B438 | KNOB,pressure                | 1 |
| 148  | 115477 | SCREW,mach,torx pan hd                         | 4   | 223  | 117560 | SCREW,set, socket head       | 1 |
| 170  | 102040 | NUT,lock,hex                                   | 1   | 224▲ | 15A464 | LABEL,control                | 1 |
| 172  | 119434 | SCREW,shoulder, socket head                    | 1   | 225  | 198699 | TUBE,hydraulic, case drain   | 1 |
| 173  | 116969 | NUT,lock                                       | 1   | 226  | 120634 | FITTING,elbow, with o-rings  | 1 |
|      |        |  |     | 277  | 117471 | SCREW                        | 4 |
|      |        |  |     | 284▲ | 198585 | LABEL                        | 1 |
|      |        |  |     | 287  | 120184 | FITTING                      | 1 |

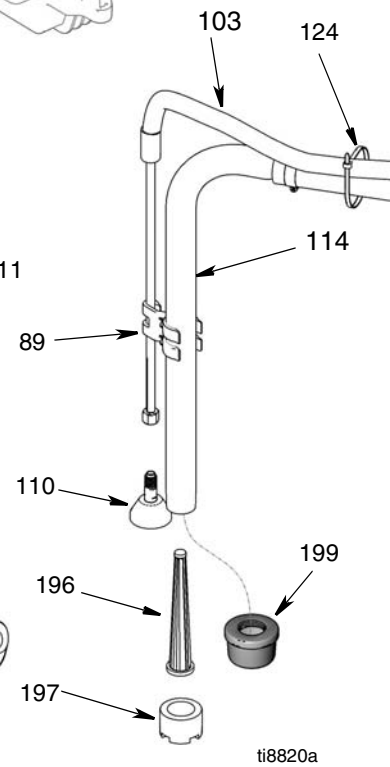
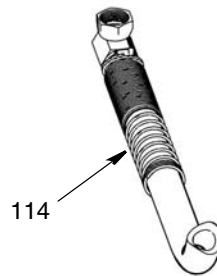
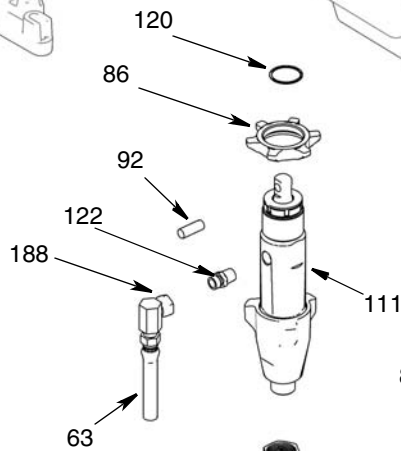
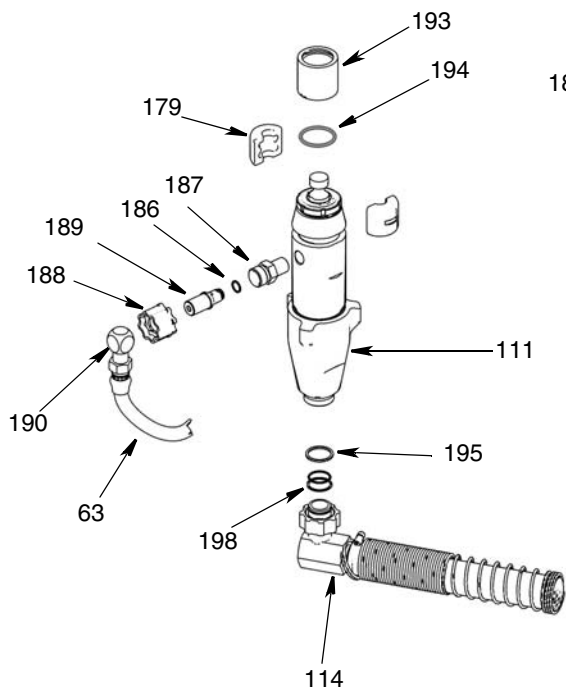
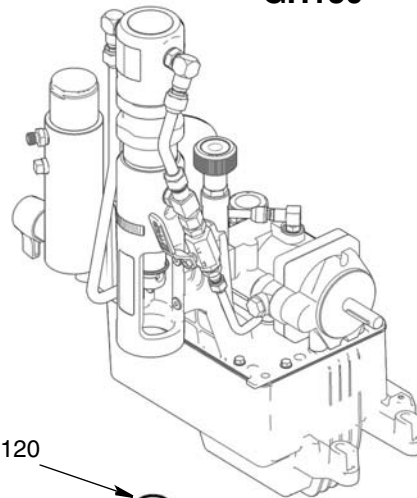
▲ Etiketter med varningssymboler och säkerhetsföreskrifter kan beställas kostnadsfritt

Sprängkiss – Alla system

GH200/230/300

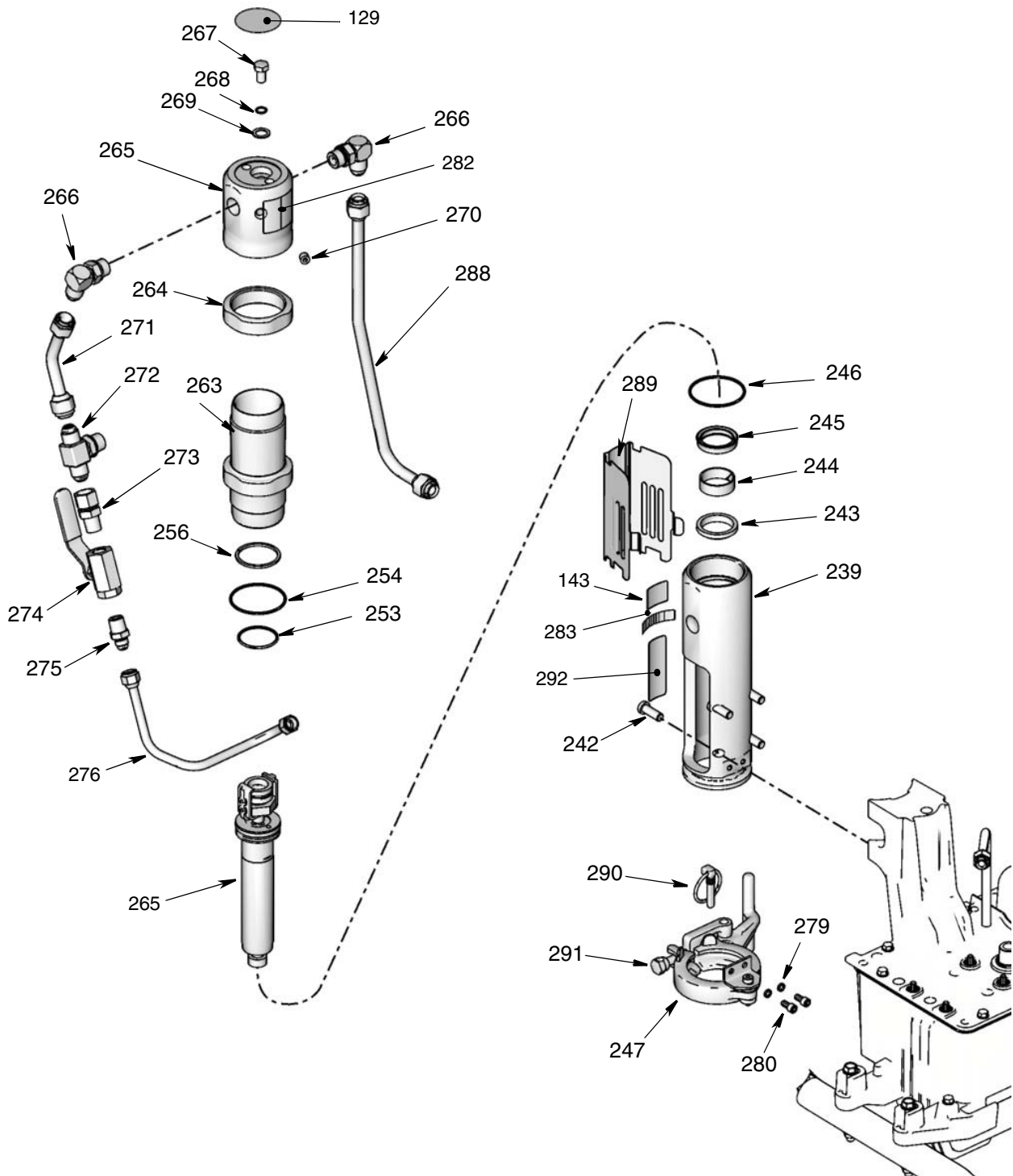


GH130





# Sprängkiss – Alla system



ti8824b

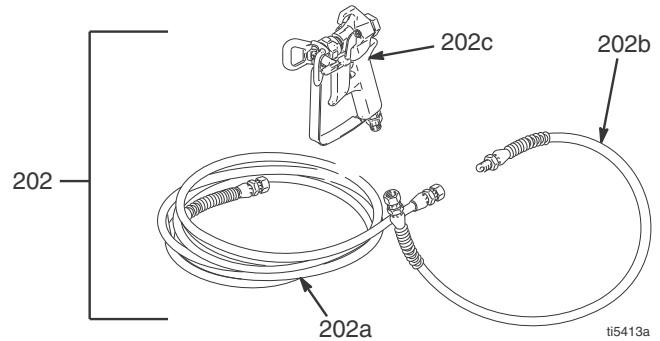
## Reservdelslista

| Ref    | Part   | Description                                    | Qty   |   |
|--------|--------|--|---|---|
| 129▲◆✓ | 15B063 | LABEL  | 1   |   |
| 143▲◆  | 15K430 | LABEL, GH130                                   | 1   |   |
|        | 15K432 | LABEL, GH200                                   | 1   |   |
|        | 15K434 | LABEL, GH230                                   | 1   |   |
|        | 15K436 | LABEL, GH300                                   | 1   |   |
| 239◆   | 15H953 | MANIFOLD, GH130                                | 1   |   |
|        | 15J278 | MANIFOLD, GH200                                | 1   |   |
|        | 15J279 | MANIFOLD, GH230 & 300                          | 1   |   |
| 242◆   | 15B564 | SCREW, cap socket                              | 4   |   |
| 243‡◆  | 117739 | WIPER, rod                                     | 1   |   |
| 244‡◆  | 112342 | BEARING, rod                                   | 1   |   |
| 245‡◆  | 112561 | PACKING, block                                 | 1   |   |
| 246‡◆  | 117283 | PACKING, o-ring                                | 2   |   |
| 247    | 288344 | CLAMP, pump; GH 200, 230, 300                  | 1   |   |
| 253‡◆✓ | 108014 | PACKING, o-ring                                | 1   |   |
| 254‡◆✓ | 178226 | SEAL, piston                                   | 1   |   |
| 256‡◆✓ | 178207 | BEARING, piston                                | 1   |   |
| 263◆   | 246176 | SLEEVE, hydraulic cylinder, kit, GH130 & 200   | 1   |   |
|        | 248991 | SLEEVE, hydraulic cylinder, kit, GH230 & 300)  | 1   |   |
| 264◆   | 15A726 | NUT, jam                                       | 1   |   |
| 265◆   | 288735 | KIT, repair, trip rod, piston; GH130 only      | 1   |   |
|        | 288736 | KIT, repair, trip rod, piston; GH 200 only     | 1   |   |
|        | 288737 | KIT, repair, trip rod, piston; GH 230/300 only | 1   |   |
| 266◆   | 117607 | FITTING, elbow std thd                         | 2   |   |
| 267✓◆  | 106276 | SCREW, cap, hex head                           | 1   |   |
| 268✓◆  | 155685 | PACKING, o-ring                                | 1   |   |
| 269✓◆  | 178179 | WASHER, sealing                                | 1   |   |
| 270✓◆  | 100139 | PLUG, pipe                                     | 1   |   |
| 271◆   | 198629 | TUBE, hydraulic, supply, GH130 & 200           | 1   |   |
|        | 15E596 | TUBE, hydraulic, supply, GH230 & 300           | 1   |   |
| 272◆   | 117609 | FITTING, tee, branch, str thd                  | 1   |   |
|        | 273    | 117328   | FITTING, nipple, straight                             | 1 |
|        | 274    | 117441   | VALVE, ball   | 1 |
|        | 275    | 116813   | FITTING, nipple, hydraulic                            | 1 |
|        | 276    | 15J819   | TUBE, hydraulic, supply, GH130                        | 1 |
|        |        | 15J846   | TUBE, hydraulic, supply, GH200                        | 1 |
|        |        | 15J864   | TUBE, hydraulic, supply, GH230, GH300                 | 1 |
|        | 279    | 105510   | WASHER, lock, spring (hi-collar), GH200, GH230, GH300 | 2 |
|        | 280    | 101550   | SCREW, cap, sch                                       | 2 |
|        | 282▲◆✓ | 15B804   | LABEL   | 1 |
|        | 283▲◆  | 192840   | LABEL   | 1 |
|        | 288    | 15J824   | TUBE, hydraulic, return, GH130                        | 1 |
|        |        | 15J845   | TUBE, hydraulic, return, GH200                        | 1 |
|        |        | 15J863   | TUBE, hydraulic, return, GH230 & 300                  | 1 |
|        | 289    | 15J503   | SHIELD, rod, model 255095 only                        | 1 |
|        | 290    | 288741   | KIT, repair, pin/spacer; GH 200, 230, 300             | 1 |
|        | 291    | 15J417   | BOLT, adjustment; GH 200, 230, 300                    | 1 |
|        | 292◆   | 15F584   | LABEL   | 1 |

- ▲ *Etiketter med varningssymboler och säkerhetsföreskrifter kan beställas kostnadsfritt*
- ◆ *Reservdelssatsen till hydraulmotor innehåller: 288758 - GH130; 288759 - GH200; 288760 - GH230 & 300*
- ✓ *Växelstångs-/kolvsatsen innehåller: 288735 - GH130; 288736 - GH200; 288737 - GH230 & 300*
- ‡ *Ingår i tätningssats 246174*

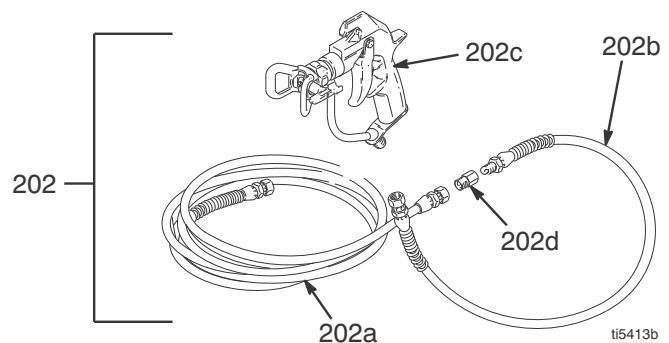
## GH 130- och 200-system med pistol och slangar

| Ref No. | Part No. | Description   | Qty. |
|---------|----------|---|------|
| 202     | 287036   | KIT, gun, Contractor<br>3300 psi (227 bar, 22.7 MPa)<br>Includes 202a - 202d  | 1    |
| 202a    | 243341   | HOSE, grounded, nylon; 1/4 in. ID;<br>cpld 1/4-18 npsm; 50 foot (15 m);<br>spring guards both ends                  | 1    |
| 202b    | 277322   | HOSE, grounded, nylon; 3/16 in. ID;<br>cpld 1/4 npt(m) x 1/4 npsm(f);<br>3 foot (0.9 m); spring guards both<br>ends | 1    |
| 202c    | 288420   | Contractor Spray Gun<br>Includes 517 RAC® X SwitchTip<br>and HandTite™ Guard<br>See 311861 for parts                | 1    |



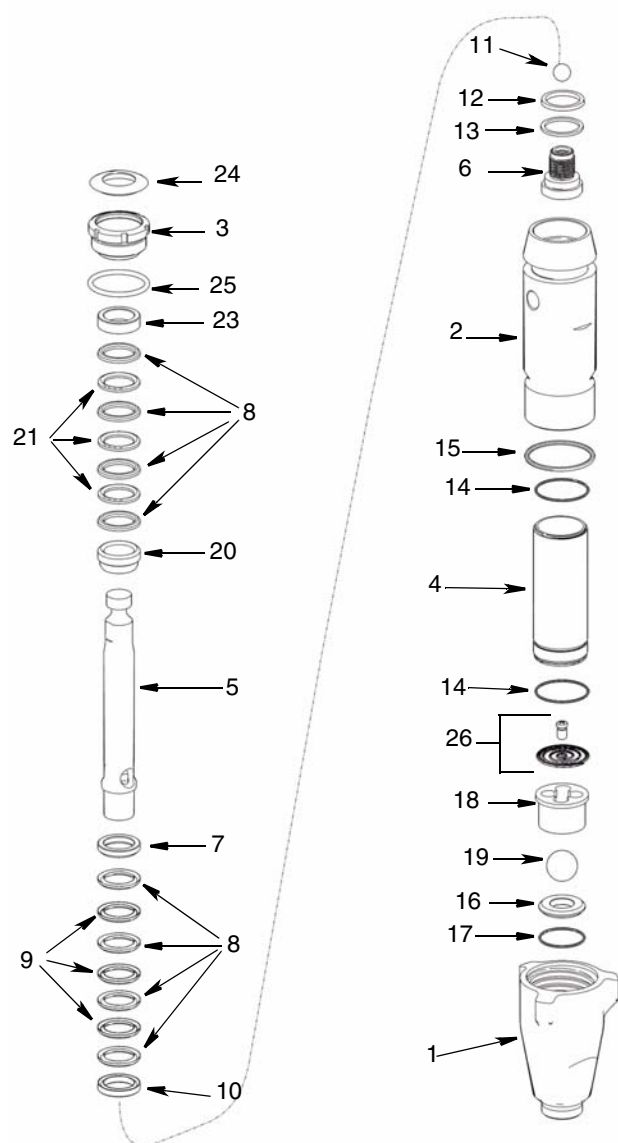
## GH 230- och 300-system med pistol och slangar

| Ref No. | Part No. | Description   | Qty. |
|---------|----------|---|------|
| 202     | 287042   | KIT, gun, Silver<br>3300 psi (227 bar, 22.7 MPa)<br>Includes 202a - 202d  | 1    |
| 202a    | 240797   | HOSE, grounded, nylon; 3/8 in. ID;<br>cpld 3/8-18 npsm; 50 foot (15 m);<br>spring guards both ends                  | 1    |
| 202b    | 277322   | HOSE, grounded, nylon; 3/16 in. ID;<br>cpld 1/4 npt(m) x 1/4 npsm(f);<br>3 foot (0.9 m); spring guards both<br>ends | 1    |
| 202c    | 246240   | Silver Spray Gun<br>Includes 517 RAC® X SwitchTip<br>and HandTite™ Guard<br>See 311254 for parts                    | 1    |
| 202d    | 159841   | ADAPTER, 3/8 X 1/4 in. npt  | 1    |



# Reservdelar

## Modell 288467/288468



| Ref  | Part   | Description                     | Qty |
|------|--------|---------------------------------|-----|
| 1    | 15E655 | HOUSING                         | 1   |
| 2    | 288482 | CYLINDER (model 288467)         | 1   |
|      | 288483 | CYLINDER (model 288468)         |     |
| 3    | 15J792 | NUT, packing                    | 1   |
| 4    | 249121 | SLEEVE, cylinder (model 288467) | 1   |
|      | 287817 | SLEEVE, cylinder (model 288468) |     |
| 5    | 288469 | ROD, piston (model 288467)      | 1   |
|      | 288470 | ROD, piston (model 288468)      |     |
| 6    | 249177 | VALVE, piston                   | 1   |
| 7*   | 189585 | GLAND, packing, male            | 1   |
| 8*   |        | PACKING, VEE (blue)             | 8   |
| 9*   |        | PACKING, VEE (brown)            | 3   |
| 10*  | 189588 | GLAND, packing, female          | 1   |
| 11*  | 107203 | BALL, valve, check              | 1   |
| 12*  | 119636 | WIPER, piston                   | 1   |
| 13*  | 15J800 | WASHER, back up                 | 1   |
| 14*  | 108822 | PACKING, o-ring                 | 2   |
| 15*  | 107306 | PACKING, o-ring                 | 1   |
| 16†  | 240918 | SEAT, carbide                   | 1   |
| 17†* | 107098 | PACKING, o-ring                 | 1   |
| 18   | 198505 | GUIDE, ball                     | 1   |
| 19†* | 107167 | BALL, SST                       | 1   |
| 20*  | 15G658 | GLAND, male                     | 1   |
| 21*  |        | PACKING, VEE (leather)          | 3   |
| 23*  | 15G657 | GLAND, female                   | 1   |
| 24*  | 112590 | PLUG, throat, seal              | 1   |
| 25*  | 108832 | PACKING, o-ring                 | 1   |
| 26*  | 245256 | SPRING, intake ball             | 1   |

\* Ingår i reservdelssats 287813

† Ingår i reservdelssats 240918

ti8826a